

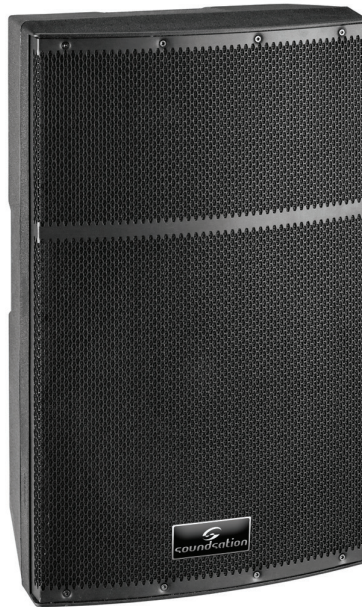


soundstation

USER MANUAL

HYPER TOP SERIES

PROFESSIONAL ACTIVE SPEAKERS



Please read this manual carefully and proper take care of it



Dear customer,

First of all thanks for purchasing a SOUNDSATION® product. Our mission is to satisfy all possible needs of musical instrument, professional audio and lighting users offering a wide range of products using the latest technologies.

We hope you will be satisfied with this item and, if you want to collaborate, we are looking for a feedback from you about the operation of the product and possible improvements to introduce in the next future. Go to our website www.soundsationmusic.com and send an e-mail with your opinion, this will help us to build equipment ever closer to customer's real requirements.

One last thing: read this manual before using the product, an incorrect operation can cause damages to you and to the unit. Take care!

The SOUNDSATION Team

TABLE OF CONTENTS

1. GETTING STARTED	6
1.1. Important Safety Symbols	6
1.2. Important Safety Instructions	6
1.3. Before You Start	8
2. SOUNDSATION HYPER TOP SERIES	9
3. SETUP	10
3.1. Connections	10
3.2. Fixed Installation	11
3.3. Rear Panel Description	12
3.4. Hyper Top 6A	12
3.5. HYPER TOP 8A	14
3.6. HYPER TOP 10A, 12A, 15A	15
4. HOOKUP DIAGRAMS	17
4.1. Examples of Input connections	17
4.2. Stereo operation with a mixer	18
4.3. Biamping with HYPER BASS active subs	19
5. SPECIFICATIONS	20
6. WARRANTY AND SERVICE	22
7. WARNING	23

I. GETTING STARTED

I.1. Important Safety Symbols



The symbol is used to indicate that some hazardous live terminals are involved within this apparatus, even under the normal operating conditions, which may be sufficient to constitute the risk of electric shock or death.



The symbol is used in the service documentation to indicate that specific component shall be replaced only by the component specified in that documentation for safety reasons.



Protective grounding terminal



Alternating current/voltage



Hazardous live terminal

ON

Denotes the apparatus is turned on

OFF

Denotes the apparatus is turned off

WARNING:

Describes precautions that should be observed to prevent the danger of injury or death to the operator.

CAUTION:

Describes precautions that should be observed to prevent danger of the apparatus.

I.2. Important Safety Instructions

- ▶ Read these instructions
- ▶ Keep these instructions
- ▶ Heed all warning
- ▶ Follow all instructions

WATER / MOISTURE

This product is intended to indoor use only. To prevent risk of fire or shock, do not expose it to rain or moisture. Make sure there are no flammable, explosive or corrosive materials surrounded in 10 meters while operating.

HEAT

The apparatus should be located away from heat sources such as radiators, stoves or other appliances that produce heat. It may carry high heat, do not aim at objective exceeding 2 minutes.

VENTILATION

The unit must be installed in a location with adequate ventilation, at least 5m away from adjacent surfaces. Be sure that no ventilation slots are blocked.

OBJECT AND LIQUID ENTRY

Objects do not fall into and liquids are not spilled into the inside of the apparatus for safety.

INSTALLATION

Always secure speaker using a safety chain and carrying handles. Never carry the unit by its cord.

POWER CORD AND PLUG

Protect the power cord from being walked on or pinched particularly at plugs, convenience receptacles, and the point where they exit from the apparatus. Do not defeat the safety purpose of the polarized or grounding-type plug. A polarized plug has two poles; a grounding-type plug has two poles and a third grounding terminal. The third prong is provided for your safety. If the provided plug does not fit into your outlet, refer to an electrician for replacement.

POWER SUPPLY

Always make sure that you are connecting to the proper voltage and the line voltage not higher than stated on the decal or rear panel of the unit. Unplug this apparatus during lightning storms or when unused for long periods of time.

FUSE

To prevent the risk of fire and damaging the unit, please use only of the recommended fuse type as described in the manual. Before replacing the fuse, make sure the unit turned off and disconnected from the AC outlet.

ELECTRICAL CONNECTION

Always disconnect from the power source before servicing or replacing fuse/lamp and be sure to replace with same fuse/lamp size and type. Cut off power before moving, repairing and cleaning the unit. Improper electrical wiring may invalidate the product warranty.

To avoid electric shock, all units must be connected to circuits with a suitable ground. Do not power on and power off the apparatus in a short time.

CLEANING

Clean only with a dry cloth. Do not use any solvents such as benzol or alcohol.

SERVICING

In case of failure or malfunction occurred, stop using the unit immediately. Never try to repair the unit by yourself. Repairs carried out by unskilled people can lead to damage or malfunction. Please contact the nearest authorized technical assistance center. Buy the same spare parts/components from manufacturer directly.

Any damage that caused by violating this manual is out of insurance, our company will not take the responsibility.

WARNING

In case of lighting products, avoid direct eye exposure to the light source while it is on. In case of audio products, please remember the high sound pressure do not only temporarily damage your sense of hearing, but can also cause permanent damage. Be careful to select a suitable volume.

1.3. Before You Start**1.3.1 UNPACKING**

Thank you for purchasing HYPER TOP Series active loudspeakers. Each unit has been well tested and shipped in perfect operating conditions. Carefully unpack the carton and check the contents to ensure that all parts are present and in good conditions:


- 1 Loudspeaker
- 1 Power cable
- 1 User manual

If anything damaged during transport, notify the shipper immediately and keep packing material for inspection. Again, please save the carton and all the packing materials. If the unit must be returned to the manufacturer, it is important that the unit is returned in the original manufacturer's packing. Please do not take any action without first contacting us.

1.3.2 GETTING STARTED

HYPER TOP Series speakers are part of a wider range of SOUNDSATION Pro Audio product line. These active speakers are compact, light weight and very easy to use. They are ideal for any live music or fixed installation purpose. Make sure there is enough space around the unit for proper ventilation and prevent overheating; do not place the unit on top of hot devices such as radiators or power amplifiers. The speaker is connected to mains through the supplied cable. The product meets the required safety standards. Blown fuses

must be replaced with fuses of the same type and specification.

 **Make sure that all units must be properly grounded. For your safety, you should never remove any ground connector from electrical devices or power cables, or make them inoperative.**

Our products are subject to a process of continual further development. Therefore modifications to the technical features remain subject to change without further notice.

2. SOUNDSATION HYPER TOP SERIES

HYPER TOP series is the result of years of experience accumulated by SOUNDSATION in Portable Sound systems, a segment where quality, versatility and value for money are absolutely essential.

It consists of 5 two-way polypropylene active speakers with woofers from 6" to 15" - called HYPER TOP Series - and 3 bass-reflex active subwoofers from 1x12 "to 1x18" with birch plywood enclosures - called HYPER BASS Series.

The HYPER TOP series features 4 Bi-Amped models with Class-D amplifiers on low frequencies and Class-AB con high - from 240W to 500W rated powers - driving 8" to 15" high-performance woofers; and a smart and extremely versatile 2-way active model with 100W Class-AB amp module on a 6" high-excursion woofer.


All models have got a sturdy, lightweight and stylish polypropylene enclosure with full metal grille and acoustic foam to protect the transducers inside and give a pleasant look. Furthermore, they feature four M8 fixing points (1 on each side), a different number of handles (from 1 on top for the 6" model to 3 for the 15" model) and a standard D36mm pole mount hole, in order to allow any fixed installation or portable applications as well as easily move them everywhere.

3. SETUP

3.1. Connections

3.1.1 MAINS CONNECTIONS

Connect the device to the mains with the power-plug. The wire corresponden- ce is as follow:

Cable	Pin	International
Brown	Live	L
Blue	Neutral	N
Yellow/Green	Earth	

 **The earth must to be connected! Pay attention to the safety!**

Before taking into operation for the first time, the installation has to be appro- ved by an expert.

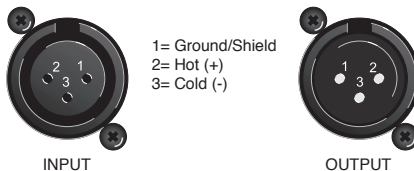
3.1.2 AUDIO CONNECTIONS

You will need several cables for the various connections to and from the speaker. See the pictures below that show the internal wiring of these cables. Be sure to use only high quality cables.

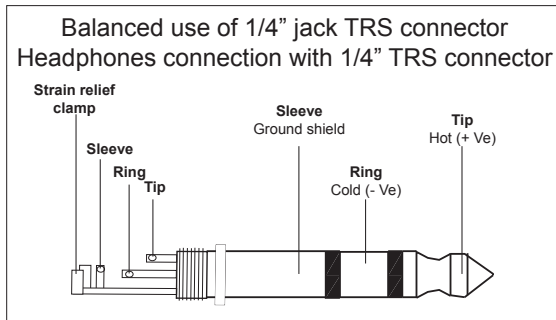
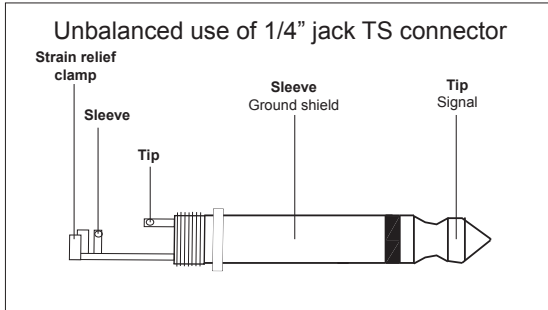
Use commercial RCA cables to wire stereo unbalanced sources with RCA output connectors to stereo RCA Line inputs of HYPER TOP units.

You can, of course, also connect unbalanced equipment to balanced inputs. Use either mono and stereo jack, making sure ring and collar are connected together (or pins 1 & 3 in the case of XLR connectors).

Balanced use of XLR connectors




In case of unbalanced use Pins 1 and 3 will be jumped




3.2. Fixed Installation


The installation of HYPER TOP speakers has to be built and constructed in a way that it can hold 10 times the weight for 1 hour without any harming demolishment. The installation must always be secured with a secondary safety attachment, e.g. an appropriate catch net. This secondary safety attachment must be constructed in a way that no part of the installation can fall down if the main attachment fails.

 **Pay attention to the safety! Please respectively consider the EN 60598-2-17 and the national standard during the installation. The authorized dealer must only carry out the installation.**

When rigging, de-rigging or servicing the unit, staying in the area below the installation place, on bridges, under high working places and other endangered areas is forbidden. The operator has to make sure that the safety measure and the unit's technical installation is approved by an expert before taking into operation for the first time and after changes before taking into operation another time.

 **IMPORTANT:** Overhead rigging requires extensive experience, including (but not limited to) calculating working load limits, installation material being used, and periodic safety inspection of all installation material and the projector. If you lack these qualifications, do not attempt the installation yourself, but instead use a professional structural rigger. Improper installation can result in bodily injury or property loss.

If the unit shall be lowered from the ceiling or high joists, professional trussing systems have to be used. The speaker must never be fixed swinging freely in the room.

 **CAUTION:** Speakers may cause severe injuries when crashing down. If you have doubts concerning the safety of a possible installation, do not install the unit!

3.3. Rear Panel Description

HYPER TOP Series active loudspeakers have several connectors, controls, and indicators the use of which you should understand.

3.4. Hyper Top 6A

1) IEC SOCKET WITH FUSE HOLDER

Plug the linecord into an AC socket properly configured for your particular model. In case of fuse burn, to prevent the risk of fire and damaging the unit, please use only of the recommended fuse type as described in the manual. Before replacing the fuse, make sure the unit turned off and disconnected from the AC outlet.

 **Note:** If you happen to lose the AC linecord, always use a three-pin plug with a ground pin.

2) POWER SWITCH

Switch up to turn the speaker on, and switch down to turn it off. Make sure the level control is down before you turn it on.

3) MIC/LINE IN INPUT SECTION

There is a female XLR-type connector and a 1/4" Jack plug that accept a balanced or unbalanced mic- or line-level signal. The switch Line/Mic has to be pressed in case of microphone level signals. There is no phantom power for



a microphone, so you should use a dynamic mic, or use a condenser type if it has its own battery power.

WARNING: Pressing MIC/LINE switch on line level signals may cause damages to the speaker. Be careful!

4) MIC/LINE LEVEL

This controls the overall signal level at the Mic-Line inputs.

5) LINE LEVEL

This controls the overall signal level at the stereo mini jack plug and RCA inputs.

6) POWER ON INDICATOR

When POWER switch is turned on, and linecord is connected to an active AC Mains supply, this indicator is lit.

7) CLIP INDICATOR

This LED lights up only when the input signal is too high and limiter operates in order to prevent unwanted damage to amplifier or transducers.

NOTE: To better adjust levels and avoid limiter to intervene and cut signals, once connected the desired sound source slowly turn up MIC/LINE or LINE LEVEL controls until the desired volume is reached (and the CLIP light comes on occasionally). Always protect your hears if you are close when it is playing at high levels.

8) EQ

This 2-band EQ optimizes the frequency response in order to better adapt the speaker to the environment in which it is used.

9) MIX OUT

This is a male XLR-type connector that produces a EQed mix of both Mic/Line Inputs. Use it to daisy-chain several active monitors together.

10] LINE IN INPUT SECTION

There is a pair of RCA plugs and a 1/8" mini jack plug that accept a unbalanced line-level signals.

3.5. HYPER TOP 8A



1] POWER SWITCH

Switch up to turn the speaker on, and switch down to turn it off. Make sure the level control is down before you turn it on.

2] IEC SOCKET WITH FUSE HOLDER

Plug the linecord into an AC socket properly configured for your particular model. In case of fuse burn, to prevent the risk of fire and damaging the unit, please use only of the recommended fuse type as described in the manual. Before replacing the fuse, make sure the unit turned off and disconnected from the AC outlet.

Note: If you happen to lose the AC linecord, always use a three-pin plug with a ground pin

3] MIX OUT

This is a male XLR-type connector that produces a EQed mix of both

Mic/Line Inputs. Use it to daisy-chain several active monitors together.

4] MIC/LINE IN INPUT SECTION

There is a female XLR-type connector and a 1/4" Jack plug that accept a balanced or unbalanced mic- or line-level signal. The switch Line/Mic has to be pressed in case of microphone level signals. There is no phantom power for a microphone, so you should use a dynamic mic, or use a condenser type if it has its own battery power.

WARNING: Pressing MIC/LINE switch on line level signals may cause damages to the speaker. Be careful!

5) MIC/LINE LEVEL


This controls the overall signal level at the Mic-Line inputs.

6) EQ

This 2-band EQ optimizes the frequency response in order to better adapt the speaker to the environment in which it is used.

7) CLIP INDICATOR

This LED lights up only when the input signal is too high and limiter operates in order to prevent unwanted damage to amplifier or transducers.

 **NOTE: To better adjust levels and avoid limiter to intervene and cut signals, once connected the desired sound source slowly turn up LEVEL control until the desired volume is reached (and CLIP light comes on occasionally). Always protect your hears if you are close when it is playing at high levels.**

8) POWER ON INDICATOR

When POWER switch is turned on, and the linecord is connected to an active AC Mains supply, this indicator is lit.

3.6. HYPER TOP 10A, 12A, 15A

1) POWER SWITCH

Switch up to turn the speaker on, and switch down to turn it off. Make sure the level control is down before you turn it on.

2) IEC SOCKET WITH FUSE HOLDER

Plug the linecord into an AC socket properly configured for your particular model. In case of fuse burn, to prevent the risk of fire and damaging the unit, please use only of the recommended fuse type as described in the manual. Before replacing the fuse, make sure the unit turned off and disconnected from the AC outlet.

 **Note: If you happen to lose the AC linecord, always use a three-pin plug with a ground pin.**

3) MIC/LINE IN INPUT SECTION

There is a female XLR-type connector and a 1/4" Jack plug that accept a balanced or unbalanced mic- or line-level signal. The switch Line/Mic has to be pressed in case of microphone level signals. There is no phantom power for a microphone, so you should use a dynamic mic, or use a condenser type if it has its own battery power.



⚠ WARNING: Pressing MIC/ LINE switch on line level signals may cause damages to the speaker. Be careful!

4) AUX IN

This is a 1/8" mini jack plug that accept an unbalanced stereo line-level signal. This auxiliary input is directly routed to EQ and master Level controls.

⚠ WARNING: Turn the LEVEL (control n. 8) down (counterclockwise) before connecting any source, especially if you're using the LINE OUT connection. If not, you could be in for a startling surprise and this may cause a damage to the unit and to your hearing.

5) LEVEL 1

This controls the overall signal level at the Mic-Line inputs.

6) LEVEL 2

This controls the overall signal level at the stereo mini jack plug and RCA inputs.

7) HIGH/LOW

This 2-band EQ optimizes the frequency response in order to

better adapt the speaker to the environment in which it is used.

8) LEVEL (MASTER)

This controls the overall signal level of all inputs, including the AUX Input.

9) POWER

When the POWER switch is turned on, and the linecord is connected to an active AC Mains supply, this indicator is lit.

10) LIMIT

This LED lights up only when the input signal is too high and limiter operates in order to prevent unwanted damage to amplifier or transducers.

NOTE: To better adjust levels and avoid limiter to intervene and cut signals, once connected the desired sound source slowly turn up LEVEL 1 or 2 and MASTER LEVEL control until the desired volume is reached (and the LIMIT light comes on occasionally). Always protect your hears if you are close when it is playing at high levels.

11) LINE OUT

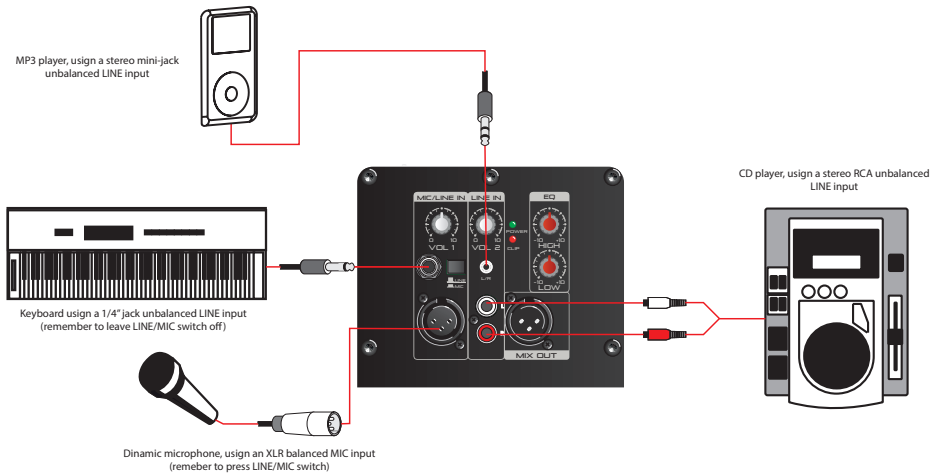
This is a male XLR-type connector that produces a EQed mix of both Mic/Line Inputs. Please notice that this output is not affected by Master Level control. Use it to daisy-chain several active speakers together.

10) LINE IN INPUT SECTION

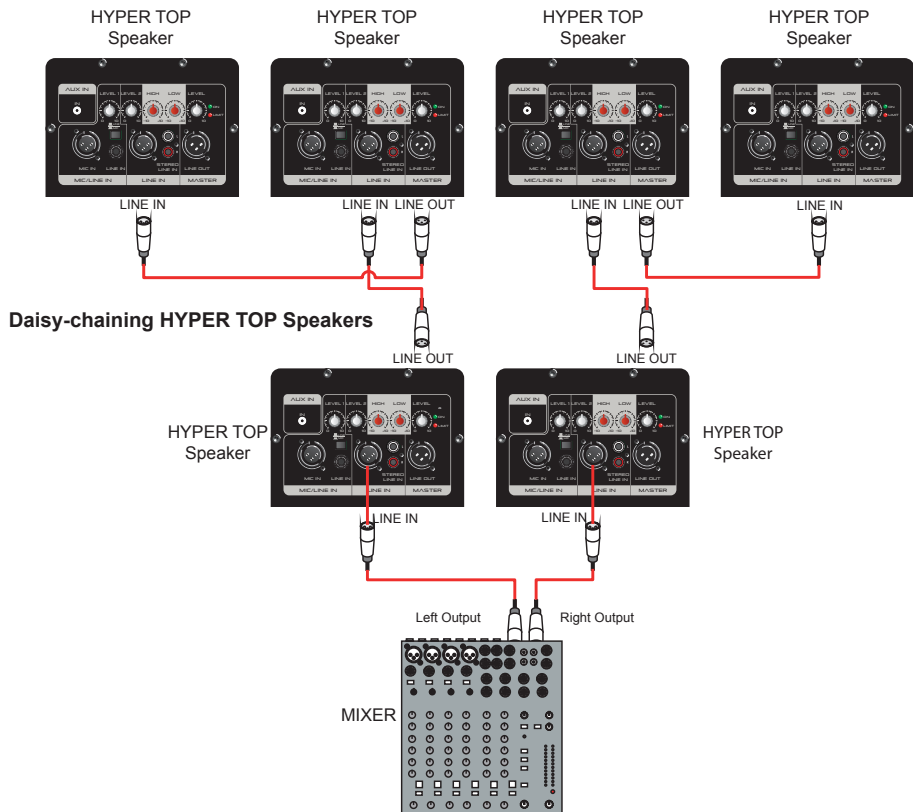
There is a pair of RCA plugs and a 1/8" mini jack plug that accept a unbalanced line-level signals.

4. HOOKUP DIAGRAMS

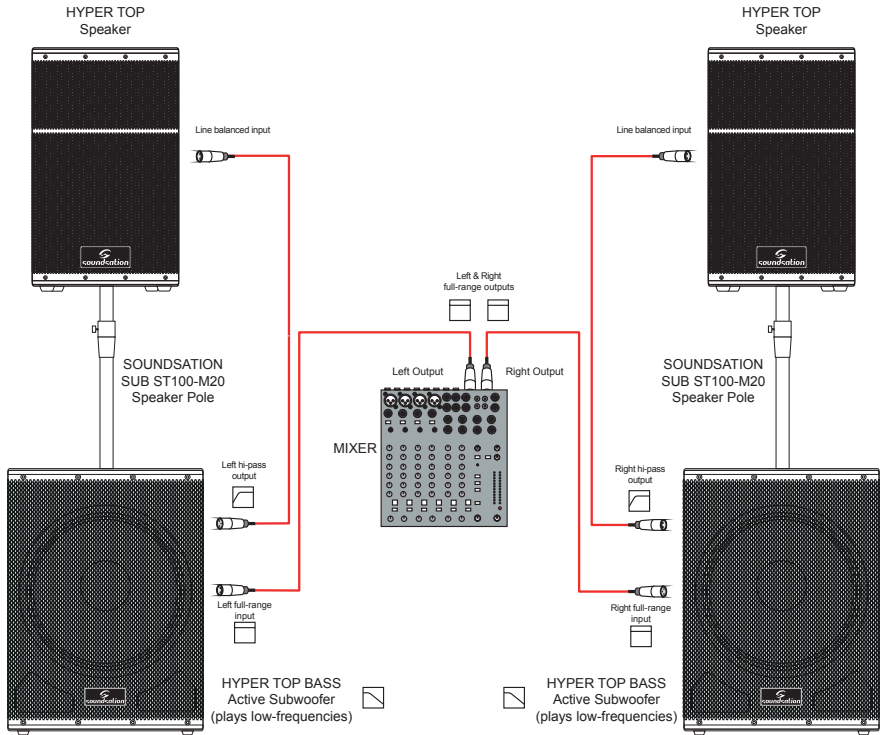
4.1. Examples of Input connections



4.2. Stereo operation with a mixer



4.3. Blamping with HYPER BASS active subs



5. SPECIFICATIONS

	HYPER TOP 6A	HYPER TOP 8A
Speaker Type	2-Way Active Speaker	Bi-Amped Active Speaker
Frequency Response [- 10dB]	67Hz - 19KHz	56Hz - 19KHz
Frequency Response [- 3dB]	72Hz - 19KHz	61Hz - 19KHz
Max SPL(PEAK)	108dB	111dB
Sensitivity	89dB	91dB
HF		
HF Type	1" Compression Driver (1" v.c.)	1" Compression Driver (1" v.c.)
Horn Type	Symmetric	Symmetric
Sensitivity(1W/1m)	101 dB	101 dB
Directivity (HxV)	90° x 60°	90° x 60°
Crossover	3.5KHz (18dB / Octave)	3.5KHz (18dB / Octave)
LF		
Woofer Diameter	6" (1.2" v.c.)	8" (1.5" v.c.)
Crossover Frequency	3.5KHz	3.5KHz
Crossover Filter Slope	18dB / Octave	24dB / Octave
Amplifier		
Amp Class	ClassAB	2 x Class D
Rated Power	100W	240W
Peak Power	200W	480W
Input	XLR + 1/4" Jack (Mic Line In), Stereo RCA + Stereo Mini jack (Line In)	XLR + 1/4" Jack (Mic Line In)
Output	XLR (Mix Out)	XLR (Mix Out)
Controls		
Mic/Line In	Mic/Line switch, Volume	Mic/Line switch, Volume
Line In	Volume	/
Aux In	/	/
LED	Power On (Green), Clip (Red)	Power On (Green), Clip (Red)
Common	EQ High and Low	EQ High and Low
EQ High	2.5KHz-18KHz (+/- 12 dB)	2.5KHz-18KHz (+/- 12 dB)
EQ Low	42Hz-150Hz (+/- 12 dB)	42Hz-150Hz (+/- 12 dB)
Mains		
Power Requirement	230Vac - 50 Hz	230Vac - 50 Hz
Power Consumption	60W	125W
Connector	VDE	VDE
Fuse	T1A - 250V	T2A - 250V
Mechanics		
Housing material	Polypropylene	Polypropylene
Grille material and thickness	1.0mm steel	1.0mm steel
Flyable	4 x M8 (1 each side)	4 x M8 (1 each side)
Handles	1 on top	1 on top
Pole Mount	Standard D36 mm	Standard D36 mm
Stage Monitor Use Angle	30°and 45°	30°and 45°
Speaker Dimension (WxHxD)	217 x 367 x 209 mm	270 x 495 x 270 mm
Packing Dimension (WxHxD)	300 x 430 x 300 mm	350 x 570 x 350 mm
Net Weight	5.8 kg	7.2 kg
Gross Weight	6.8 kg	9.4 kg

HYPER TOP 10A	HYPER TOP 12A	HYPER TOP 15A
Bi-Amped Active Speaker	Bi-Amped Active Speaker	Bi-Amped Active Speaker
53Hz - 19KHz	48Hz - 19KHz	41Hz - 19KHz
58Hz - 19KHz	53Hz - 19KHz	46Hz - 19KHz
116dB	119dB	121dB
93dB	95dB	96dB
1" Compression Driver (1" v.c.)	1" Compression Driver (1.35" v.c.)	1" Compression Driver (1.35" v.c.)
Symmetric	Symmetric	Symmetric
101 dB	105 dB	105 dB
90° x 60°	90° x 60°	90° x 60°
3.2KHz (24dB / Octave)	2.8KHz (24dB / Octave)	2.6KHz (24dB / Octave)
10" (2" v.c.)	12" (2.5" v.c.)	15" (3" v.c.)
3.2KHz	2.8KHz	2.6KHz
24dB / Octave	24dB / Octave	24dB / Octave
2 x Class D	Class D + Class AB	Class D + Class AB
250W	500W	500W
500W	1000W	1000W
XLR + 1/4" Jack (Mic Line In), Stereo RCA + Stereo Mini jack (Line In)	XLR + 1/4" Jack (Mic Line In), Stereo RCA + XLR (Line In), Stereo Mini jack (Aux In)	XLR + 1/4" Jack (Mic Line In), Stereo RCA + XLR (Line In), Stereo Mini jack (Aux In)
XLR (Mix Out)	XLR (Mix Out)	XLR (Mix Out)
Mic/Line switch, Volume	Mic/Line switch, Volume	Mic/Line switch, Volume
Volume	Volume	Volume
/	Volume	Volume
Power On (Green), Clip (Red)	Power On (Green), Clip (Red)	Power On (Green), Clip (Red)
EQ High and Low	EQ High and Low	EQ High and Low
2.5KHz-18KHz (+/- 12 dB)	2.5KHz-18KHz (+/- 12 dB)	2.5KHz-18KHz (+/- 12 dB)
42Hz-150Hz (+/- 12 dB)	42Hz-150Hz (+/- 12 dB)	42Hz-150Hz (+/- 12 dB)
230Vac - 50 Hz	230Vac - 50 Hz	230Vac - 50 Hz
130W	260W	260W
VDE	VDE	VDE
T2A - 250V	T2A - 250V	T2A - 250V
Polypropylene	Polypropylene	Polypropylene
1.2mm steel	1.2mm steel	1.2mm steel
4 x M8 (1 each side)	4 x M8 (1 each side)	4 x M8 (1 each side)
1 on right sides; 1 on top	2 on sides; 1 on top	2 on sides; 1 on top
Standard D36 mm	Standard D36 mm	Standard D36 mm
30°and 45°	30°and 45°	30°and 45°
300 x 528 x 306 mm	355 x 611 x 350 mm	420 x 697 x 383 mm
390 x 610 x 390 mm	450 x 700 x 440 mm	500 x 785 x 475 mm
9.0 kg	14.6 kg	18.0 kg
11.6 kg	17.8 kg	21.6 kg

6. WARRANTY AND SERVICE

All SOUNDSATION products feature a limited two-year warranty. This two-year warranty is specific to the date of purchase as shown on your purchase receipt.

The following cases/components are not covered from the above warranty:

- Any accessories supplied with the product
- Improper use
- Fault due to wear and tear
- Any modification of the product effected by the user or a third party

SOUNDSATION shall satisfy the warranty obligations by remedying any material or manufacturing faults free of charge at SOUNDSATION's discretion either by repair or by exchanging individual parts or the entire appliance. Any defective parts removed from a product during the course of a warranty claim shall become the property of SOUNDSATION.

While under warranty period, defective products may be returned to your local SOUNDSATION dealer together with original proof of purchase. To avoid any damages in transit, please use the original packaging if available. Alternatively you can send the product to SOUNDSATION SERVICE CENTER – Via Enzo Ferrari , 10 – 62017 Porto Recanati - Italy . In order to send a product to service center you need an RMA number. Shipping charges have to be covered by the owner of the product.

For further information please visit www.soundsationmusic.com

7. WARNING

PLEASE READ CAREFULLY – EU and EEA (Norway, Iceland and Liechtenstein) only



This symbol indicates that this product is not to be disposed of with your household waste, according to the WEEE Directive (2202/96/EC) and your national law.

This product should be handed over to a designated collection point, e.g., on an authorized one-for-one basis when you buy a new similar product or to an authorized collection site for recycling waste electrical and electronic equipment (WEEE).

Improper handling of this type of waste could have a possible negative impact on the environment and human health due to potentially hazardous substances that are generally associated with EEE. At the same time, your cooperation in the correct disposal of this product will contribute to the effective usage of natural resources.

For more information about where you can drop off your waste equipment for recycling, please contact your local city office, waste authority, approved WEEE scheme or your household waste disposal service.



MADE IN CHINA

This product is imported in EU by
FRENEXPOR SPA – Via Enzo Ferrari, 10 - 62017 Porto Recanati - Italy

WWW.SOUNDSATIONMUSIC.COM

Soundsation® is a registered trademark of FRENEXPOR SPA - Italy



WWW.SOUNDSATIONMUSIC.COM