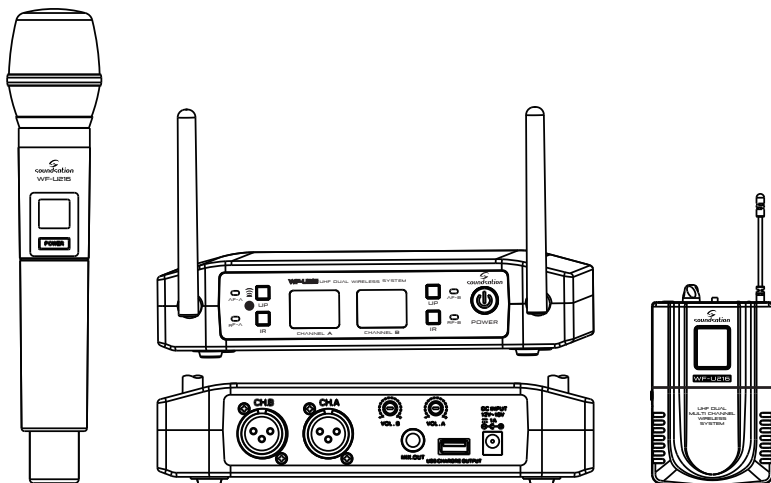




soundSation

WF-U216

UHF DUAL 16-CH WIRELESS MICROPHONE SYSTEM



USER MANUAL MANUALE UTENTE

*Please read this manual carefully and proper take care of this manual.
Leggete questo manuale e conservatelo per future consultazioni!*



Dear customer,

First of all thanks for purchasing a SOUNDSATION® product. Our mission is to satisfy all possible needs of musical instrument, professional audio and lighting users offering a wide range of products using the latest technologies.

We hope you will be satisfied with this item and, if you want to collaborate, we are looking for a feedback from you about the operation of the product and possible improvements to introduce in the next future. Go to our website www.soundsationmusic.com and send an e-mail with your opinion, this will help us to build instruments ever closer to customer's real requirements.

One last thing: read this manual before using the instrument, an incorrect operation can cause damages to you and to the unit. Take care!

The SOUNDSATION Team

Gentile Cliente,

Grazie per aver scelto un prodotto SOUNDSATION®. La nostra missione è quella di offrire ai nostri utenti una vasta gamma di strumenti musicali ed apparecchiature audio e lighting con tecnologie di ultima generazione.

Speriamo di aver soddisfatto le vostre aspettative e, se voleste collaborare, saremmo lieti di ricevere un vostro feedback sulla qualità del prodotto al fine di migliorare costantemente la nostra produzione. Visitate il nostro sito www.soundsationmusic.com ed inviateci una mail con la vostra opinione, questo ci aiuterà a sviluppare nuovi prodotti quanto più vicini alle vostre esigenze.

Un'ultima cosa, leggete il presente manuale al fine di evitare danni alla persona ed al prodotto, derivanti da un utilizzo non corretto.

Il Team SOUNDSATION

I. TABLE OF CONTENTS

1. UNPACKING	6
2. ACCESSORIES	7
3. OVERVIEW.....	7
4. MAIN FEATURES	8
5. RECEIVER CONTROL AND FUNCTIONS.....	8
6. HAND-HELD MICROPHONE.....	10
6.1. Hand-held Microphone Using Technique.....	11
7. POCKET TRANSMITTER AND HEADSET.....	12
7.1. Body-pack LCD Function.....	14
8. RECEIVER INSTALLATION	14
9. SYSTEM IR SYNC OPERATION.....	15
10. AUDIO CONNECTIONS.....	15
11. BATTERY DISPOSAL INSTRUCTIONS.....	16
12. SPECIFICATIONS	17
13. FREQUENCY TABLE.....	18
14. WARRANTY AND SERVICE	19
15. WARNING.....	19

IMPORTANT SAFETY SYMBOLS



The symbol is used to indicate that some hazardous live terminals are involved within this apparatus, even under the normal operating conditions, which may be sufficient to constitute the risk of electric shock or death.



The symbol is used in the service documentation to indicate that specific component shall be replaced only by the component specified in that documentation for safety reasons.



Protective grounding terminal



Alternating current/voltage



Hazardous live terminal

ON

Denotes the apparatus is turned on

OFF

Denotes the apparatus is turned off

WARNING:

Describes precautions that should be observed to prevent the danger of injury or death to the operator.

CAUTION:

Describes precautions that should be observed to prevent danger of the apparatus.

TAKING CARE OF YOUR PRODUCT

- ▶ Read these instructions
- ▶ Keep these instructions
- ▶ Heed all warning
- ▶ Follow all instructions

WATER / MOISTURE

The apparatus should be protected from moisture and rain and can not be used near water; for example near a bathtub, a kitchen sink, a swimming pool, etc.

HEAT

The apparatus should be located away from heat sources such as radiators, stoves or other appliances that produce heat.

VENTILATION

Do not block areas of ventilation opening. Failure to do could result in fire. Always install according to the manufacturer's instructions.

OBJECT AND LIQUID ENTRY

Objects do not fall into and liquids are not spilled into the inside of the apparatus for safety.

POWER CORD AND PLUG

Protect the power cord from being walked on or pinched particularly at plugs, convenience receptacles, and the point where they exit from the apparatus. Do not defeat the safety purpose of the polarized or grounding-type plug. A polarized plug has two poles; a grounding-type plug has two poles and a third grounding terminal. The third prong is provided for your safety. If the provided plug does not fit into your outlet, refer to an electrician for replacement.

POWER SUPPLY

In case of external power supply, the apparatus should be connected to the power supply only of the type as marked on the apparatus or described in the manual. Failure to do could result in damage to the product and possibly the user. Unplug this apparatus during lightning storms or when unused for long periods of time.

FUSE

To prevent the risk of fire and damaging the unit, please use only of the recommended fuse type as described in the manual. Before replacing the fuse, make sure the unit turned off and disconnected from the AC outlet.

ELECTRICAL CONNECTION

Improper electrical wiring may invalidate the product warranty.

CLEANING

Clean only with a dry cloth. Do not use any solvents such as benzene or alcohol.

SERVICING

Do not implement any servicing other than those means described in the manual. Refer all servicing to qualified service personnel only. Only use accessories/attachments or parts recommended by the manufacturer.

WARNING

Please remember the high sound pressure do not only temporarily damage your sense of hearing, but can also cause permanent damage. Be careful to select a suitable volume.

INTERFERENCE FROM CELL PHONE

Using a cell phone near the wireless system can induce noise. If this occurs, move the cell phone further away from the components of the wireless system.

I. UNPACKING

WF-U216 system is composed by following parts:

WF-U216HH

- ▶ 1x Dual UHF Receiver
- ▶ 1x External Power Adapter
- ▶ 2x Handheld Microphone Transmitter with Professional Cardioid Capsule
- ▶ 4x 1.5V AA-Type Batteries (not rechargeable)
- ▶ 4x 1.2V AA-Type Batteries (rechargeable)
- ▶ 1x Recharge USB cable
- ▶ 1x 1/4"-to-1/4" audio cable
- ▶ This User Manual

WF-U216HP

- ▶ 1x Dual UHF Receiver
- ▶ 1x External Power Adapter
- ▶ 1x Handheld Microphone Transmitter with Professional Cardioid Capsule
- ▶ 1x Pocket Transmitter
- ▶ 1x Headset Microphone with Professional Condenser Cardioid Capsule
- ▶ 4x 1.5V AA-Type Batteries (not rechargeable)
- ▶ 2x 1.2V AA-Type Batteries (rechargeable)
- ▶ 1x Recharge USB cable
- ▶ 1x 1/4"-to-1/4" audio cable
- ▶ This User Manual

WF-U216PP

- ▶ 1x Dual UHF Receiver
- ▶ 1x External Power Adapter
- ▶ 2x Pocket Transmitters
- ▶ 2x Headset Microphones with Professional Condenser Cardioid Capsule
- ▶ 4x 1.5V AA-Type Batteries (not rechargeable)
- ▶ 1x 1/4"-to-1/4" audio cable
- ▶ This User Manual

 **ATTENTION: Packaging bag is not a toy! Keep out of reach of children! Keep in a safe place the original packaging material for future use.**

2. ACCESSORIES

SOUNDSATION can supply a wide range of quality accessories that you can use with your WIRE-FREE Series wireless microphone system, like Cables, Mixers, Speakers, Amplifiers, Stands, etc.

All products in our catalogue has been long tested with this device so we recommend to use Genuine SOUNDSATION Accessories and Spare Parts. Ask your SOUNDSATION dealer for any accessories you could need to ensure best performance of the product.

3. OVERVIEW

The WF-U216 is a UHF dual wireless microphone system with 16 channels each. Its main characteristics are reliability, audio quality and extreme simplicity of use. It's been designed for all those professionals who need a ready-to-use tool, always. Despite its minimalist look, the WF-U216 is a concentrate of technology, capable of integrating a high-quality microphone preamp stage, a DSP-based audio processing, a PLL synthesis stage, and other functions in a single chip.

Compared to analog systems, it significantly improves the stability and reliability of the FM modulation section, the AF and audio stages, offering professional level music performance. The WF-U216 is also equipped with the IR synchronization system, for quick coupling between the receiver and transmitter. Both the hand transmitter and the pocket transmitter can work with AA alkaline or rechargeable batteries. The handheld transmitter also allows direct charging of the batteries thanks to the supplied USB cable.

The quality of the cardioid capsules of the handheld transmitter (dynamic) and of the headset (condenser) are professional.

WF-U216 systems are available in 3 configurations:

WF-U216HH

- 1x Dual UHF Receiver
- 2x Hand Transmitter with Professional Cardioid Capsule

WF-U216HP

- 1x Dual UHF Receiver
- 1x Hand Transmitter with Professional Cardioid Capsule
- 1x Pocket Transmitter
- 1x Headset Microphone with Professional Condenser Cardioid Capsule

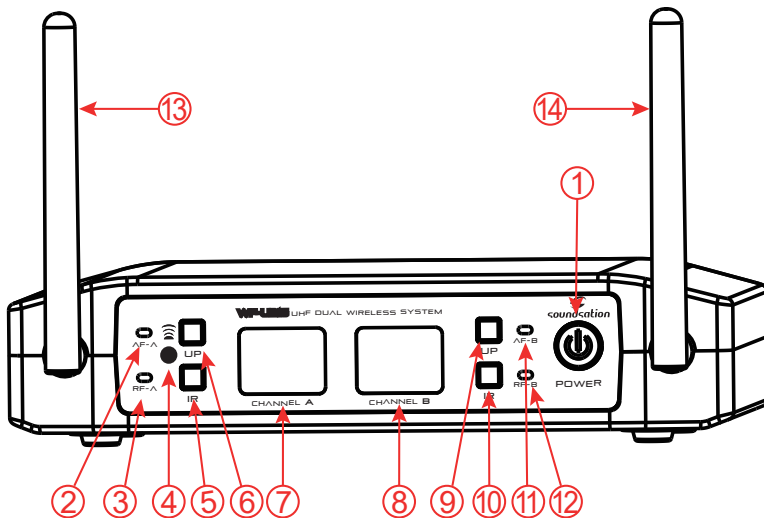
WF-U216PP

- 1x Dual UHF Receiver
- 2x Pocket Transmitters
- 2x Headset Microphones with Professional Condenser Cardioid Capsule

4. MAIN FEATURES

- ▶ 520-550MHz UHF Band
- ▶ 16-Channels for each Microphone (32-channels in total)
- ▶ Simple and Outright User Interface with display on Transmitters and Receiver
- ▶ Single-chip design with high-quality preamp, DSP audio processing, and PLL synthesis
- ▶ IR Matching System for Quick Setup
- ▶ High efficiency battery consumption design.
- ▶ 50m Ideal Distance (without obstacles)
- ▶ Professional Hand-held Microphone with Dynamic Cardioid Capsule (WF-U216HH and HP models only)
- ▶ Body-pack with 3-Pin Mini-XLR Connector and LCD display (WF-U216HP and PP models only)
- ▶ Professional and Lightweight Headset with High-Sensibility Condenser Cardioid Capsule (WF-U216HP and PP models only)
- ▶ Operation with rechargeable or alkaline AA batteries
- ▶ Battery charging function integrated in the handheld transmitter

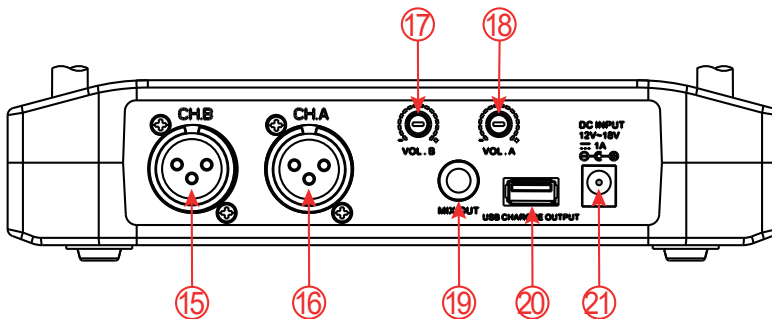
5. RECEIVER CONTROL AND FUNCTIONS



1. **Power:** Long press to switch it on and off the receiver.
2. **CH A - AF indicator:** This yellow LED flashes according with Channel-A audio

signal level. If it does not flash, check whether the transmitter is on, and it is not muted (body-pack only).

3. **CH A - RF indicator:** When on, this green LED displays the radio signal from the transmitter. If it is off, it means that the transmitter is switched off, or frequency channel needs to be matched, or transmitter batteries are low.
4. **IR Window:** It is the infrared sensor used to synchronize the operating channel between receiver and the two transmitters.
5. **CH A- IR button:** Long press this button to activate the IR transmission from the receiver to the IR sensor of the handheld microphone or body-pack. During IR transmission the infra-red sensor flashes, then you need to move the transmitter IR-sensor closer, to match the selected frequency channel.
6. **CH A- Channel selection button:** During Channel-A editing, it increases current Channel's value to 16; then starts again from 1 to 16.
7. **CH A- Display:** It shows the current channel from 1 to 16 used between Transmitter A and Channel-A.
8. **CH B - Display:** Like point 7, for Channel B.
9. **CH B - Channel selection button:** During Channel-B editing, it increases current Channel's value to 16; then starts again from 1 to 16.
10. **CH B - IR button:** Like point 5, for Channel B.
11. **CH B -AF indicator:** Like point 2, for Channel B.
12. **CH B - RF indicator:** Like point 3, for Channel B.
13. **CH A- Antenna:** It receives Channel-A RF signals from transmitters.
14. **CH B-Antenna:** Like point 13, for Channel B..

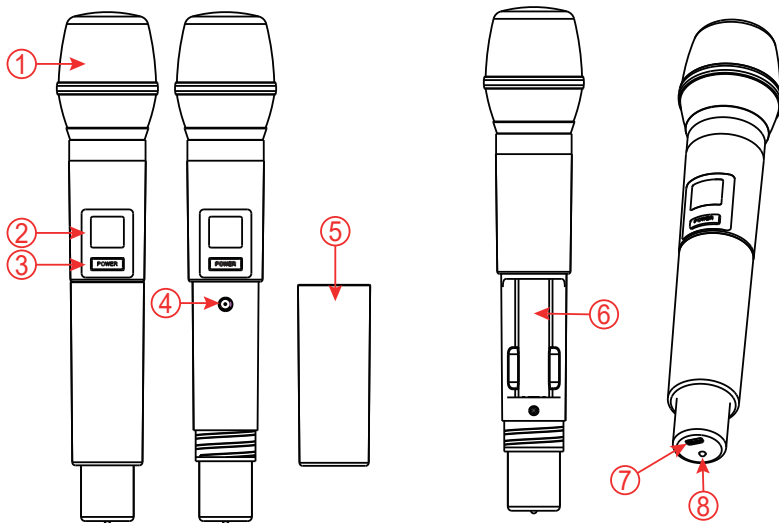


15. **Balanced Output B:** It is the Channel-B balanced XLR audio line output to connect


to your mixer or audio system. For more details about the internal wiring of balanced cables, refer to paragraph "10. AUDIO CONNECTIONS" at page 15.

- 16. **Balanced Output A:** Same as balanced output B but for Channel-A.
- 17. **Channel-B Volume Knob:** It adjusts Channel-B audio output in both Balanced Output B and Mix Output.
- 18. **Channel-A Volume Knob:** It adjusts Channel-A audio output in both Balanced Output A and Mix Output.
- 19. **Mix Output:** It is the channel-A + channel-B unbalanced audio line output with 1/4" Jack to use in case of connection to mixers or audio equipment with unbalanced connections.
- 20. **USB Recharge (handheld microphone only):** Connect the supplied USB cable between this A-Type USB connector and the Mini-USB connector on bottom of the handheld microphone (see "6. HAND-HELD MICROPHONE" at page 10 for further details) to recharge the rechargeable AA-Type batteries inside the handheld microphone.
- 21. **DC Input:** Connect here the external power supply (12-18VDC – 1000mA)

6. HAND-HELD MICROPHONE

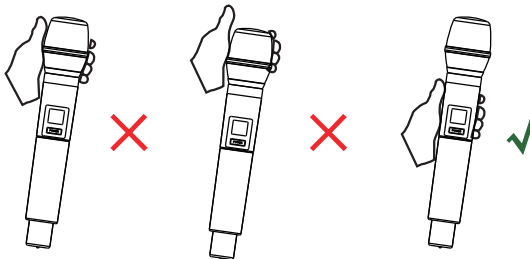


WF-U216HH and WF-U216HP systems feature respectively 2 and 1 hand-held transmitters with professional dynamic cardioid capsule.

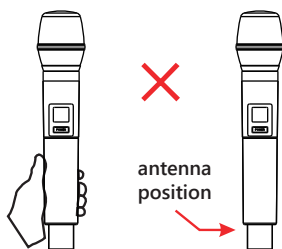
1. **Grille:** It protects microphone capsule. Never remove it to prevent damage to the internal parts of the microphone.
 2. **LED Display:** This blue LED display shows current channel number. It ranges from 1 to 16.
-  **NOTE: In case of battery low, it flashes. In this case, please be ready to replace the alkaline batteries as soon as possible or, in case of rechargeable AA-Type batteries, connect the USB cable to the USB connector on microphone bottom.**
3. **Power button:** Press and hold this button for about 2 seconds to turn on or off the microphone.
 4. **IR Sync Window:** During IR Sync, bring this part of the transmitter close to the receiver's IR sensor to complete the operation.
 5. **Battery Slot Cover:** Unscrew this cover to access the battery-compartment and insert or replace the batteries.
 6. **Battery Slot:** Insert two 1.5V AA-Type alkaline or rechargeable batteries (or two rechargeable AA-Type batteries), paying attention to correct polarity (indicated on bottom of this battery compartment).
 7. **Recharge Connector:** In case of rechargeable AA-Type batteries, you can charge then by connecting the supplied USB cable to this port, and connecting the A-Type USB connector to the USB outlet on receiver's rear panel (20).
 8. **Recharge LED:** During battery recharge this LED turns red; once batteries are full charged, it turns green.

6.1. Hand-held Microphone Using Technique

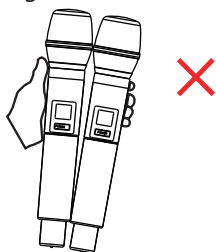
- ▶ Don't hold the microphone grill.



- ▶ Avoid holding the microphone on antenna position.




- ▶ Don't hold two microphones together



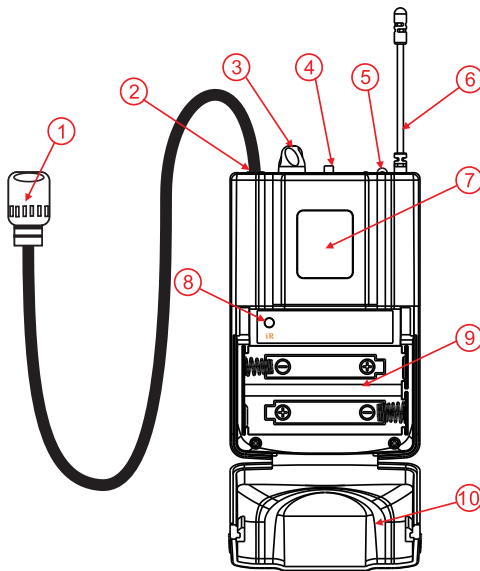
- ▶ Avoid direct the microphone toward a speaker to avoid Larsen effect, which could damage your audio system.


7. POCKET TRANSMITTER AND HEADSET

1. **Microphone:** WF-U216HP and PP systems feature, respectively, 1 and 2 headset microphone with professional condenser dynamic capsules (it does not matter if the picture shows a lavalier microphone).
2. **Microphone Input:** Plug here the headset audio connector. Please notice that this 3-pin mini-XLR connector is equipped with security lock, to prevent it from coming off during use.
3. **Volume:** Adjust the audio input level of the transmitter. Use this knob to adapt microphone signal level in order to prevent distorted sound.
4. **POWER Switch:** This selector has 3 positions. When it's all to the OFF position, the microphone is turned off; when it is in the central position, the microphone is active but the audio is disabled; finally, when it's all to ON position, the microphone is working and the audio is active.

 **NOTE: Standby central position allows the unit to transmit without audio. This option is important to prevent interference in the receiver due to the absence of a radio transmitting signal. It is, therefore, suggested to ALWAYS use this standby position when you temporarily don't sing or play but the wireless microphone is connected to an audio system (e.g. during a pause in**

a show). You can move the switch to OFF position (all down) only when you are sure that the sound system volume is low.

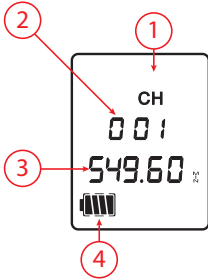


5. **Power LED:** It lights up when the transmitter is on.
 6. **Antenna:** It transmits the radio signal. Be careful not to bend or break this terminal.
 7. **LCD Display:** The back-lit display shows all important information relating to settings, as well as battery charge level.
 8. **IR Sync Window:** During sync mode, bring this part of the transmitter close to the receiver's IR sensor to complete the operation.
 9. **Battery Slot:** Insert two alkaline AA-Type batteries, paying attention to correct polarity (indicated on bottom of this battery compartment).
-  **NOTE:** The pocket transmitter of the WF-U216 can work indifferently with alkaline or rechargeable AA-size batteries. However, it is not possible to recharge the batteries directly on the transmitter. This function is only available on the handheld transmitter.
10. **Battery Slot Cover:** Open this cover to access to insert or replace the batteries. Following the instructions for their replacement:
 - ▶ Apply a slight pressure at the top of the door (10) and pull down.
 - ▶ Insert or replace the batteries in the compartment, observing the +/- polarity marked

on the bottom.

- ▶ Close the cover to prevent batteries to be lost during use.

7.1. Body-pack LCD Function

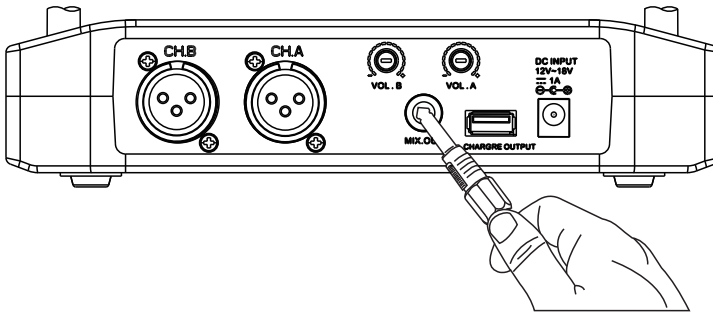


- 1) **CH** Indicates channel icon
- 2) **001** Indicates current channel number
- 3) **549.60** Indicates current frequency
- 4) Indicates battery status, when flashing indicates that battery is low

8. RECEIVER INSTALLATION

- ▶ Connect the supplied power adapter to a mains outlet, and to the DC power supply socket (21).

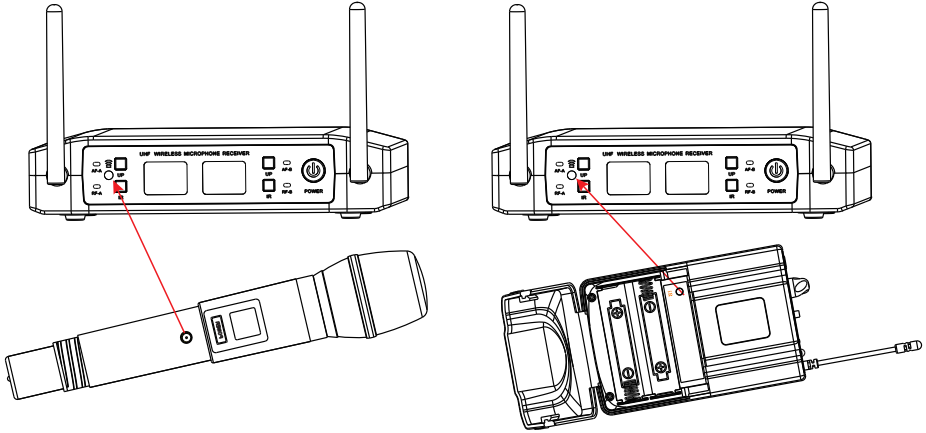
NOTE: Before connecting the power adapter to a mains outlet, please make sure that the voltage is compatible with this device (100-240Vac - 50 / 60Hz).



- ▶ Connect the balanced audio outputs A (15) and B (16) or the unbalanced mix output (19) to your mixer or sound system, using the appropriate cables (see section "10. AUDIO CONNECTIONS" at page 15 for further details).
- ▶ Turn both volume control knobs (17) and (18) to the minimum volume.
- ▶ Turn on the receiver by pressing POWER button (1). The LED displays (7) and (8) will light up showing current frequency channel.
- ▶ Adjust volume knobs (17) and (18) as needed.
- ▶ To change channel, long press UP button, then the channel number in the display is flashing, press UP button again to select channel, there are total 16 channels to choose.

9. SYSTEM IR SYNC OPERATION

The WF-U216 comes with an infrared transmission system between receiver and transmitter, called IR SYNC function, which easily sends all settings to your hand-held or pocket transmitter.



When the receiver is turned on, press the IR button, the receiver starts to send signal, turn on the handheld microphone or the body-pack transmitter, and put their IR window close to the IR window of the receiver. Once the frequency channel has been correctly sent, the RF signal indicator on the receiver is on, meaning that the frequency matching is successful.

10. AUDIO CONNECTIONS

You need XLR balanced cables for connections to your audio equipment. See pictures below that show the internal wiring of these cables. Be sure to use only high quality cables (visit our website www.soundsationmusic.com for further details).

Balanced use of XLR connectors

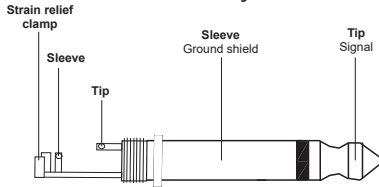


In case of unbalanced use Pins 1 and 3 will be jumped

You can, connect even unbalanced equipment to the mix outputs. Use the supplied 1/4" jack mono cable, or make your own cable by making sure ring and collar are con-



nected together.

Unbalanced use of 1/4" jack TS connector



II. BATTERY DISPOSAL INSTRUCTIONS

In case of use of rechargeable batteries in both handheld and body-pack transmitter, please follow the instructions below for safe handling of and proper disposal of user-serviceable batteries.

-  **Always store the batteries with full charge. Partially charged batteries will lose capacity. Never store the battery when fully drained. Always recharge immediately when empty.**
-  **Battery runtime will decreased time by time, and it may be slightly shorter than predicted due to different working environments.**

Please make sure the battery will be disposed of properly according to your local law when it runs out of its life, so that to protect the environment. Some batteries may be recycled, and may be accepted for disposal at your local recycling center. Please contact SOUNDSATION Customer Support if you have questions about proper handling of batteries. Batteries may present a risk of fire, explosion, or chemical burn if mistreated.

- ▶ Do not disassemble, puncture, modify, drop, throw, or cause other unnecessary shocks to batteries.
- ▶ Do not dispose of batteries in a fire or trash incinerator, or leave batteries in hot places such as a automobile under direct sunlight.
- ▶ Do not store batteries near an oven, stove, or other heat source.
- ▶ Do not connect batteries directly to an electrical source, such as a building outlet or automobile power-point.
- ▶ Do not place batteries into a microwave oven, or into any other high-pressure container.
- ▶ Do not immerse batteries in water or otherwise get them wet.
- ▶ Do not short circuit batteries; for example, do not carry loose batteries in a pocket or purse with other metal objects, which may inadvertently cause a battery to short circuit.
- ▶ Do not use batteries, or charge rechargeable batteries, that appear to be leaking, discolored, rusty, deformed; emit an odor; or are otherwise abnormal.
- ▶ Do not touch leaking batteries directly; wear protective material to remove the bat-

teries and dispose of them properly immediately.

- ▶ Do not reverse the polarity (positive and negative terminals) of batteries.
- ▶ Do not continue to charge batteries beyond the specified time.
- ▶ Do not give batteries to young children, or store batteries where children may access them.
- ▶ Do not put batteries in mouth. If swallowed, contact physician or local poison control center immediately.

12. SPECIFICATIONS

SYSTEM	
Carrier Frequency:	UHF 520-550MHz
Frequency Stabilization:	Automatic calibration
Dynamic Range:	>90dB
Total Harmonic Distortion:	<0.4%
Frequency Response:	40Hz-15KHz \pm 3dB
Audio Output Level:	Balanced 400mV; Unbalanced 400mV
Packing Dimensions (WxDxH):	380 x 285 x 65 mm
Packing Gross Weight:	1.2 kg
RECEIVER	
Power Supply:	DC 12V / 1000mA
Consume Power:	<4W
Signal/Noise Ratio:	>95dB
Receiving Sensitivity:	-95dBuV
De-Emphasis:	75uS
Dimensions (WxDxH):	210 x 155 x 43 mm
Antennas Height:	115 mm
Net Weight:	0.345 kg
HAND-HELD AND POCKET TRANSMITTER	
Transmitter Power:	10mW(Max)
Modulation Type:	FM
Max Deviation:	\pm 26KHz
Spurious Emission:	>40dB
Battery Voltage:	2x1.5V AA Alkaline Batteries or 2x1.2V Rechargeable
Continuous Using:	5 hours
Hand-held Mic. Dimensions (W/DxH):	Ø33 (min) - Ø48 (max) x 248 mm
Hand-held Mic. Net Weight:	0.215 kg (batteries included)
Pocket Transmitter Dimensions (WxDxH):	62 x 30 x 103 mm
Antenna (W/DxH):	Ø3 x 10 mm
Pocket Transmitter Net Weight:	0.133 kg (batteries included)

13. FREQUENCY TABLE

CH Number	CH-A	CH-B
01	521.4MHz	535.2 MHz
02	522.8MHz,	536.6 MHz
03	523.2 MHz,	537.8 MHz
04	523.7 MHz,	538.7 MHz
05	524.6 MHz,	539.6 MHz
06	525.2 MHz	540.8 MHz
07	525.8 MHz	541.4 MHz
08	526.2 MHz	542.3 MHz
09	527.6 MHz	543.2 MHz
10	528.2 MHz	544.1 MHz
11	529.1 MHz	544.8 MHz
12	531.6 MHz	546.8 MHz
13	532.2 MHz	547.2 MHz
14	532.8 MHz	547.8 MHz
15	533.6 MHz	548.4 MHz
16	534.5 MHz	549.6 MHz

14. WARRANTY AND SERVICE

All SOUNDSATION products feature a limited two-year warranty. This two-year warranty is specific to the date of purchase as shown on your purchase receipt.

The following cases/components are not covered from the above warranty:

- Any accessories supplied with the product
- Improper use
- Fault due to wear and tear
- Any modification of the product effected by the user or a third party

SOUNDSATION shall satisfy the warranty obligations by remedying any material or manufacturing faults free of charge at SOUNDSATION's discretion either by repair or by exchanging individual parts or the entire appliance. Any defective parts removed from a product during the course of a warranty claim shall become the property of SOUNDSATION.

While under warranty period, defective products may be returned to your local SOUNDSATION dealer together with original proof of purchase. To avoid any damages in transit, please use the original packaging if available. Alternatively you can send the product to SOUNDSATION SERVICE CENTER – Via Enzo Ferrari , 10 – 62017 Porto Recanati - Italy . In order to send a product to service center you need an RMA number. Shipping charges have to be covered by the owner of the product.

For further information please visit www.soundsationmusic.com

15. WARNING

PLEASE READ CAREFULLY – EU and EEA (Norway, Iceland and Liechtenstein) only



This symbol indicates that this product is not to be disposed of with your household waste, according to the WEEE Directive (2202/96/EC) and your national law.

This product should be handed over to a designated collection point, e.g., on an authorized one-for-one basis when you buy a new similar product or to an authorized collection site for recycling waste electrical and electronic equipment (WEEE).

Improper handling of this type of waste could have a possible negative impact on the environment and human health due to potentially hazardous substances that are generally associated with EEE. At the same time, your cooperation in the correct disposal of this product will contribute to the effective usage of natural resources.

For more information about where you can drop off your waste equipment for recycling, please contact your local city office, waste authority, approved WEEE scheme or your household waste disposal service.

SOMMARIO

1. DISIMBALLAGGIO	22
2. ACCESSORI	23
3. INTRODUZIONE.....	24
4. CARATTERISTICHE.....	24
5. CONTROLLI E FUNZIONI DEL RICEVITORE	25
6. MICROFONO PALMARE	27
6.1. Uso Del Microfono Palmare.....	28
7. TRASMETTITORE TASCABILE	30
7.1. Display LCD del Trasmittitore Tascabile	31
8. INSTALLAZIONE DEL RICEVITORE	31
9. FUNZIONE IR SYNC	32
10. CONNESSIONI AUDIO.....	33
11. SMALTIMENTO DELLE BATTERIE	34
12. SPECIFICHE.....	35
13. TABELLA DELLE FREQUENZE	36
14. GARANZIA E ASSISTENZA.....	37
15. AVVISO	37
16. DECLARATION OF CONFORMITY	38

IMPORTANTI SIMBOLI DI SICUREZZA



Il simbolo è usato per indicare che in questa apparecchiatura sono presenti alcuni terminali sotto tensione pericolosi, anche in condizioni di normale funzionamento, che possono costituire rischio di scosse elettriche o di morte.



Il simbolo viene utilizzato nella documentazione di servizio per indicare che uno specifico componente può essere sostituito esclusivamente dal componente specificato nella documentazione per motivi di sicurezza.



Terminale di Terra



Corrente/Tensione alternata



Terminale in tensione pericoloso

ON

Indica che l'apparato è acceso

OFF

Indica che l'apparato è spento

WARNING:

Precauzioni da osservare per evitare il pericolo di ferimento o di morte per l'utilizzatore.

CAUTION:

Precauzioni da osservare per evitare danni all'apparecchio.

IMPORTANTI ISTRUZIONI DI SICUREZZA

- ▶ Leggete queste istruzioni
- ▶ Conservate queste istruzioni
- ▶ Rispettate tutte le avvertenze
- ▶ Seguite tutte le istruzioni

ACQUA E UMIDITÀ

L'apparecchio deve essere protetto dall'umidità e dalla pioggia, non può essere usato in prossimità di acqua; ad esempio nei pressi di una vasca da bagno, di un lavandino, di una piscina, etc.

CALORE

L'apparecchio deve essere posto lontano da fonti di calore come radiatori, stufe o altri apparecchi che producono calore.

VENTILAZIONE

Non ostruite le prese d'aria per la ventilazione: ciò potrebbe provocare incendi. Installate sempre l'unità secondo le istruzioni del produttore.

INTRODUZIONE DI OGGETTI E LIQUIDI

Non introdurre oggetti o versare liquidi all'interno dell'apparato per ragioni di sicurezza.

ALIMENTAZIONE

L'apparecchio deve essere collegato alla sorgente di alimentazione elettrica del tipo indicato sull'apparecchio o descritto nel manuale. In caso contrario si potrebbero provocare danni al prodotto ed eventualmente all'utente. Staccate la spina in caso di temporali o quando non viene utilizzato per lunghi periodi di tempo.

In caso di alimentazione esterna, l'apparecchio deve essere collegato all'alimentazione solo del tipo indicato sull'apparecchio o descritto nel manuale.

COLLEGAMENTO ALLA RETE ELETTRICA

Il collegamento elettrico improprio può invalidare la garanzia del prodotto.

PULIZIA

Pulite solo con un panno asciutto. Non utilizzate solventi come benzolo o alcol.

MANUTENZIONE

Non effettuate qualsiasi altro intervento al di fuori di quelli descritti nel manuale. Per eventuale assistenza rivolgetevi solo a personale qualificato. Utilizzate solo accessori / componenti suggeriti dal produttore.

AVVISO

Vogliamo ricordare che un'alta pressione sonora non solo può danneggiare temporaneamente il senso dell'udito, ma può anche causare danni permanenti. Prestate attenzione affinché il volume sia sempre adeguato.

INTERFERENZE DOVUTE A TELEFONI CELLULARI

Usare telefoni cellulari vicino ad un radiomicrofono può causare rumori in audio. Se ciò avviene, allontanate il cellulare dai componenti del radiomicrofono.

I. DISIMBALLAGGIO

Il sistema a radiomicrofono WF-U216 è composto dai seguenti componenti:

WF-U216HH

- ▶ 1x Ricevitore UHF Doppio
- ▶ 1x Alimentatore esterno
- ▶ 2x Microfoni a mano con Capsula Dinamica Cardioide Professionale

- ▶ 4x Batterie Stilo da 1.5V tipo AA (non ricaricabili)
- ▶ 4x Batterie Stilo ricaricabili da 1.2V tipo AA
- ▶ 1x Cavo USB per ricarica
- ▶ 1x Cavo audio Jack 6.3mm-Jack 6.3mm
- ▶ Questo Manuale

WF-U216HP

- ▶ 1x Ricevitore UHF Doppio
- ▶ 1x Alimentatore esterno
- ▶ 1x Microfono a mano con Capsula Dinamica Cardioide Professionale
- ▶ 1x Trasmettitore tascabile
- ▶ 1x Microfono ad archetto con Capsula a Condensatore Cardioide Professionale
- ▶ 4x Batterie Stilo da 1.5V tipo AA (non ricaricabili)
- ▶ 2x Batterie Stilo ricaricabili da 1.2V tipo AA
- ▶ 1x Cavo USB per ricarica
- ▶ 1x Cavo audio Jack 6.3mm-Jack 6.3mm
- ▶ Questo Manuale

WF-U216PP

- ▶ 1x Ricevitore UHF Doppio
- ▶ 1x Alimentatore esterno
- ▶ 2x Trasmettitori tascabili
- ▶ 2x Microfoni ad archetto con Capsula a Condensatore Cardioide
- ▶ 4x Batterie Stilo da 1.5V tipo AA (non ricaricabili)
- ▶ 1x Cavo audio Jack 6.3mm-Jack 6.3mm
- ▶ Questo Manuale

 **ATTENZIONE: L'imballo non è un giocattolo! Tienilo fuori dalla portata dei bambini!!! Conserva tutte le parti dell'imballo per un futuro utilizzo.**

2. ACCESSORI

SOUNDSATION è in grado di fornire un'ampia gamma di accessori utili per l'utilizzo dei radiomicrofoni WIRE-FREE, come ad esempio Cavi, Mixer, Diffusori, Amplificatori, Supporti per casse, ecc.

Tutti gli articoli presenti a catalogo e compatibili sono stati testati professionalmente dal nostro team, quindi raccomandiamo vivamente di utilizzare prodotti ed accessori originali SOUNDSATION.

Chiedi al tuo negoziante autorizzato SOUNDSATION la lista degli accessori originali

compatibili, in questo modo ti assicurerai una performance ottimale.

3. INTRODUZIONE

WF-U216 è un sistema UHF a doppio radiomicrofono con 16 canali ciascuno. Le sue caratteristiche fondamentali sono l'affidabilità, la qualità audio e l'estrema semplicità di utilizzo. È pensato principalmente per tutti quei professionisti che necessitano di uno strumento di lavoro pronto all'uso e che non ti lascia mai a piedi. Nonostante la sua apparenza, infatti, il WF-U216 è un concentrato di tecnologia in grado di integrare in un unico chip lo stadio di preamplificazione microfonica a elevata qualità, il processamento audio basato su DSP, lo stadio di sintesi PLL, e altre funzioni.

Rispetto ai sistemi analogici, migliora notevolmente la stabilità e l'affidabilità della sezione di modulazione FM, degli stadi in AF e audio, offrendo performance vocali e strumentali di livello professionale. Il WF-U216 è inoltre dotato del sistema di sincronizzazione IR per l'accoppiamento tra ricevitore e trasmettitore in modo rapido.

Sia il trasmettitore a mano che quello tascabile possono funzionare con batterie tipo AA alcaline o ricaricabili. Il trasmettitore a gelato permette la ricarica diretta delle batterie grazie al cavo USB in dotazione.

La qualità delle capsule cardioidi del trasmettitore palmare (dinamica) e dell'archetto (a condensatore) sono di livello professionale

I sistemi WF-U216 sono disponibili in 3 diverse configurazioni:

WF-U216HH

- 1x Doppio Ricevitore UHF
- 2x Trasmettitori a Mano con Capsula Cardioide Professionale

WF-U216HP

- 1x Doppio Ricevitore UHF
- 1x Trasmettitore a Mano con Capsula Cardioide Professionale
- 1x Trasmettitore Tascabile
- 1x Microfono archetto con Capsula Cardioide A Condensatore

WF-U216PP

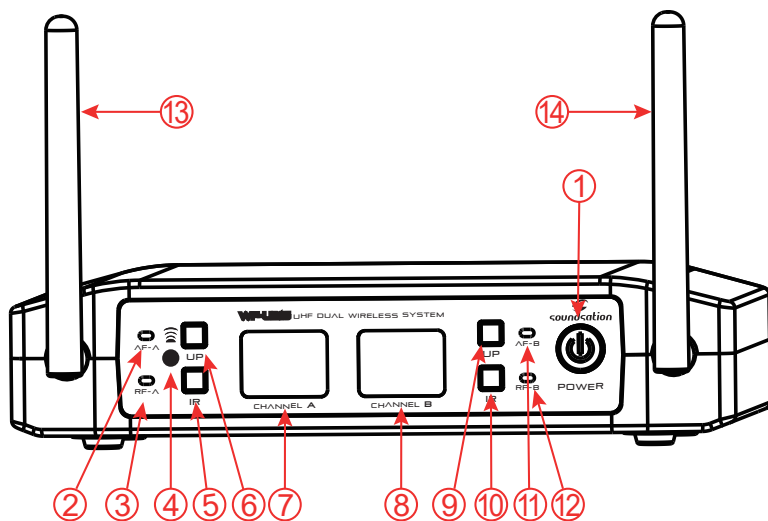
- 1x Doppio Ricevitore UHF
- 2x Trasmettitori Tascabili
- 2x Microfoni archetto con Capsula Cardioide A Condensatore

4. CARATTERISTICHE

- ▶ Banda UHF da 520-550 MHz
- ▶ 16 canali per ciascun microfono (32 canali in totale)
- ▶ Interfaccia utente semplice e chiara con display su trasmettitori e ricevitore

- ▶ Design a chip singolo con preamplificatore di alta qualità, elaborazione audio DSP e sintesi PLL
- ▶ Sistema di accoppiamento IR per una rapida configurazione
- ▶ Circuiti a basso consumo delle batterie
- ▶ 50m Distanza ideale (senza ostacoli)
- ▶ Microfono portatile professionale con capsula cardioide dinamica (solo modelli WF-U216HH e HP)
- ▶ Body-pack con connettore Mini-XLR a 3 pin e display LCD (solo modelli WF-U216HP e PP)
- ▶ Cuffie professionali e leggere con capsula cardioide a condensatore ad alta sensibilità (solo modelli WF-U216HP e PP)
- ▶ Funzionamento con batterie AA ricaricabili o alcaline
- ▶ Funzione di ricarica delle batterie integrata nel Trasmettitore Palmare

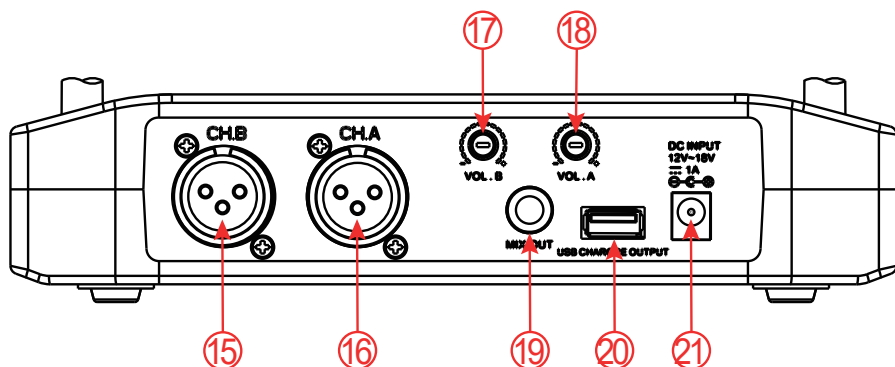
5. CONTROLLI E FUNZIONI DEL RICEVITORE



1. **Tasto Power:** Tenete premuto questo tasto per accendere o spegnere il ricevitore.
2. **CH-A Indicatore AF:** Questo LED giallo lampeggia in base al livello del segnale audio del canale A. Se non lampeggia, controllate se il trasmettitore è acceso e l'audio non è in Mute (solo body-pack).
3. **CH A - Indicatore RF:** Quando è acceso, questo LED verde indica la presenza del segnale radio dal trasmettitore. Se è spento, significa che il trasmettitore è spento

o che la frequenza del canale deve essere accoppiata o che le batterie sono scariche.

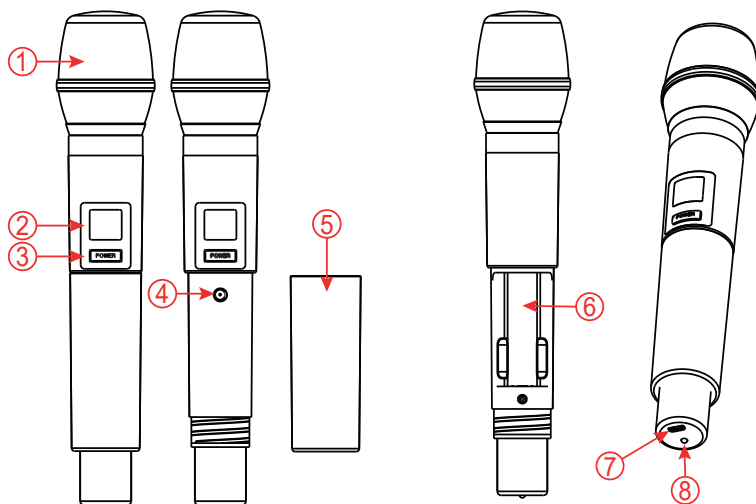
4. **Sensore IR:** È il sensore ad infrarossi usato per sincronizzare il canale di funzionamento tra ricevitore e trasmettitore.
5. **CH-A Pulsante IR:** Tenere premuto per un paio di secondi questo pulsante per attivare la trasmissione IR dal ricevitore al sensore IR del microfono o del trasmettitore tascabile. Durante la trasmissione, il sensore a infrarossi lampeggia. Avvicinare quindi il sensore IR del trasmettitore, in modo effettuare l'accoppiamento al canale di frequenza selezionato.
6. **CH-A Pulsante di selezione del canale:** Durante la modifica del canale A, aumenta il valore del canale corrente a fino a 16; quindi ricomincia da 1 a 16.
7. **CH A - Display:** Mostra il canale corrente da 1 a 16 utilizzato tra il trasmettitore A e il canale A.
8. **CH B - Display:** Come il punto 7, per il canale B
9. **CH-B Pulsante di selezione del canale:** Come il punto 6, per il canale B.
10. **CH-B Pulsante IR:** Come il punto 5, per il canale B.
11. **CH-B Indicatore AF:** Come il punto 2, per il canale B.
12. **CH B - Indicatore RF:** Come il punto 3, per il canale B.
13. **Tasto UP-B:** In fase di modifica del sistema A, permette di diminuire il valore del parametro selezionato.
14. **ANTENNA-A:** Riceve il segnale in radiofrequenza dai trasmettitori.
15. **ANTENNA-B:** Come ANTENNA-A




- 16. Uscita BILANCIATA-B:** È l'uscita audio bilanciata XLR di linea del sistema B da collegare al vostro mixer o impianto audio. Per ulteriori dettagli sulle connessioni interne dei cavi bilanciati, fate riferimento al paragrafo "10. CONNESSIONI AUDIO" a pagina 33.
- 17. Uscita BILANCIATA-A:** Come l'uscita BILANCIATA-B, ma per il Canale A.
- 18. Volume del canale B:** Regola l'uscita audio del canale B sia in uscita bilanciata B che in uscita mix.
- 19. Volume del canale A:** Come il precedente, per il Canale A.
- 20. Uscita MIX:** È l'uscita audio sbilanciata di linea dei sistemi A + B con Jack da 1/4" da usare nel caso di collegamento a mixer o impianti audio con connessioni sbilanciate.
- 21. Ricarica USB (solo microfono palmare):** collegare il cavo USB in dotazione tra questo connettore USB di tipo A e il connettore Mini-USB nella parte inferiore del microfono palmare (consultare "6. MICROFONO PALMARE" a pagina 27 per ulteriori dettagli) per ricaricare la batterie ricaricabili stilo (tipo AA) poste all'interno del microfono.
- 22. Ingresso di Alimentazione:** Collegare qui l'alimentatore esterno in dotazione (12VDC - 1000mA).

6. MICROFONO PALMARE

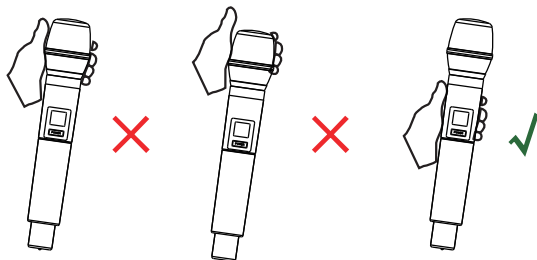
I sistemi WF-U216HH e WF-U216HP sono dotati, rispettivamente, di 2 e 1 trasmettitore palmare con capsula dinamica cardioide professionale.



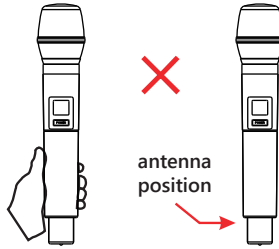
1. **Griglia Copri-Capsula:** Protegge la capsula microfonica e non deve mai essere rimossa per evitare danni alle parti interne del microfono.
 2. **Display LED:** Il display a LED blu visualizza il numero del canale selezionato tra 1 e 16.
-  **NOTA:** In caso di batterie con carica insufficiente, il display lampeggia. Tenete un paio di batterie alcaline a portata di mano o, in caso di batterie AA ricaricabili, collegate il cavo USB in dotazione al connettore USB sul fondo del microfono per ricaricarle.
3. **Tasto Power:** Tenere premuto questo tasto per circa 2 secondi per accendere o spegnere il microfono.
 4. **Sensore IR:** Quando è attiva la funzione IR Sync, avvicinare questo sensore IR a quello del ricevitore per completare l'accoppiamento della frequenza di funzionamento.
 5. **Coperchio del Vano Porta-Batterie:** Svitare questo coperchio per accedere al vano porta-batterie ed inserire o sostituire le batterie.
 6. **Vano Porta-Batterie:** Inserire 2 batterie alcaline da 1.5V tipo AA (o due batterie AA ricaricabili) facendo attenzione alla corretta polarità indicata sul fondo del vano porta-batterie.
 7. **Connettore USB di ricarica:** in caso di batterie ricaricabili di tipo AA, è possibile ricaricarle collegando il cavo USB in dotazione a questa porta e collegando il connettore USB tipo-A alla presa USB sul pannello posteriore del ricevitore (20).
 8. **Indicatore di ricarica:** durante la ricarica della batteria questo LED diventa rosso; una volta che le batterie sono completamente cariche, diventa verde.

6.1. Uso Del Microfono Palmare

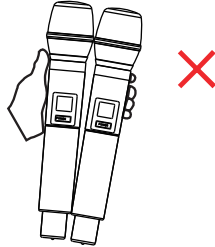
- ▶ Non afferrare il microfono tenendolo dai corpi-capsula.



- ▶ Non tenere il microfono dalla parte dell'antenna.

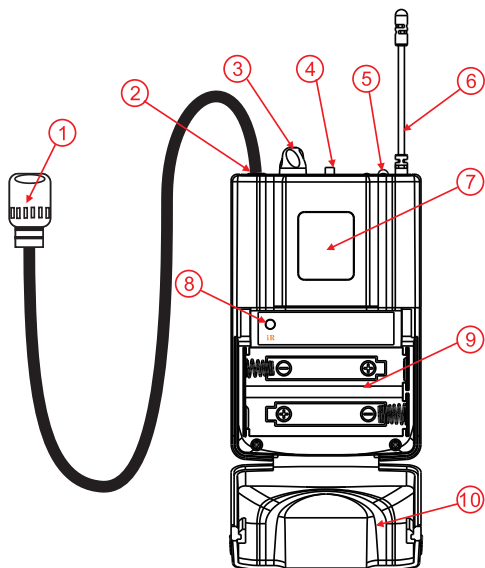



- ▶ Non usare due microfoni tenendoli troppo avvicinati l'un l'altro.




- ☞ **ATTENZIONE:** la distanza ottimale tra la griglia e la bocca non deve eccedere i 15cm.
- ▶ Evitate di direzionare il microfono verso un diffusore per evitare l'effetto Larsen che potrebbe danneggiare il vostro impianto.

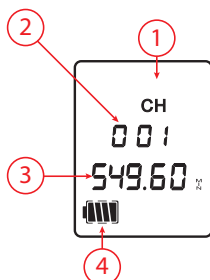
7. TRASMETTITORE TASCABILE




1. **Microfono:** I sistemi WF-U216HP e WF-U216PP hanno in dotazione, rispettivamente, uno e due microfoni ad archetto con capsula a condensatore cardioide professionale (non rappresentato in figura).
 2. **Ingresso Microfonico:** Inserire qui il connettore audio del microfono ad archetto. Il connettore mini-XLR a 3-poli è dotato di sistema di sicurezza per evitare che il connettore si stacchi durante l'uso.
 3. **Volume:** Regola il livello di segnale audio in ingresso al trasmettitore. Regolare questa manopola in modo che il segnale sul ricevitore non arrivi distorto.
 4. **Selettore POWER:** Questo selettore è a 3 posizioni; quando è tutto verso la posizione OFF, il microfono è spento; quando è in posizione centrale, il microfono è attivo ma l'audio è disabilitato; quando infine è tutto verso la posizione ON, il microfono è funzionante e l'audio è attivo.
-  **NOTA:** La posizione intermedia di stand-by abilita il funzionamento del trasmettitore senza audio. Questa opzione è importante per evitare interferenze dovute all'assenza di segnale radio del trasmettitore. E' quindi consigliabile usare SEMPRE la posizione di stand-by quando non si usa il sistema ma esso è collegato ad un sistema audio (ad esempio durante una pausa in uno spettacolo). E' possibile riportare il selettore in posizione OFF (tutto in basso) solo quando si è certi che il volume del sistema di amplificazione è al minimo.

5. **LED Power:** Si illumina quando il trasmettitore è acceso.
 6. **Antenna:** Consente la trasmissione del segnale radio. Fare attenzione a non piegare o spezzare questo terminale.
 7. **LCD display:** Il display retro-illuminato visualizza tutte le principali informazioni relative ai parametri, così come il livello di carica delle batterie.
 8. **Sensore IR:** Quando è attiva la funzione IR Sync, avvicinare questo sensore a quello del ricevitore per completare l'accoppiamento della frequenza di funzionamento.
 9. **Vano Porta-Batterie:** Inserire 2 batterie tipo AA facendo attenzione alla corretta polarità indicata sul fondo del vano porta-batterie.
-  **NOTA: Il trasmettitore tascabile del WF-U216 può funzionare indifferentemente con batterie Tipo-AA alcaline o ricaricabili. Non è però possibile ricaricare le batterie direttamente sul trasmettitore. Questa funzione è disponibile solo sul trasmettitore palmare.**
10. **Coperchio del Vano Porta-Batterie:** Aprire questo coperchio per accedere per inserire o sostituire le batterie. Di seguito le istruzioni per la loro sostituzione:
 - ▶ Applicare una leggera pressione sugli estremi superiori dei lati del coperchio e aprirlo.
 - ▶ Inserite o sostituite le batterie facendo attenzione a rispettare la corretta polarità +/- indicata sul fondo.
 - ▶ Chiudete il coperchio per evitare di perdere le batterie durante l'utilizzo del trasmettitore.

7.1. Display LCD del Trasmettitore Tascabile

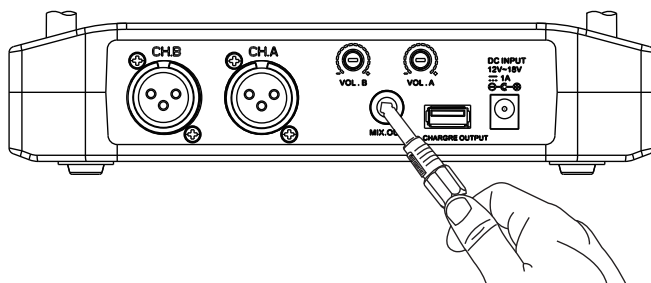


- | | |
|--|---|
| 1) CH | Icona del Canale |
| 2) 001 | Indica il canale attualmente usato |
| 3) 549.60 | Indica la frequenza del canale usato |
| 4)  | Indica il livello di carica delle batterie; in caso di carica insufficiente, questa icona lampeggia |

8. INSTALLAZIONE DEL RICEVITORE

Collegare l'alimentatore in dotazione alla presa di alimentazione DC (21).

 **NOTA:** prima di collegare l'alimentatore a una presa di corrente, assicurarsi che la tensione sia compatibile con questo dispositivo (100-240 V CA - 50/60 Hz).

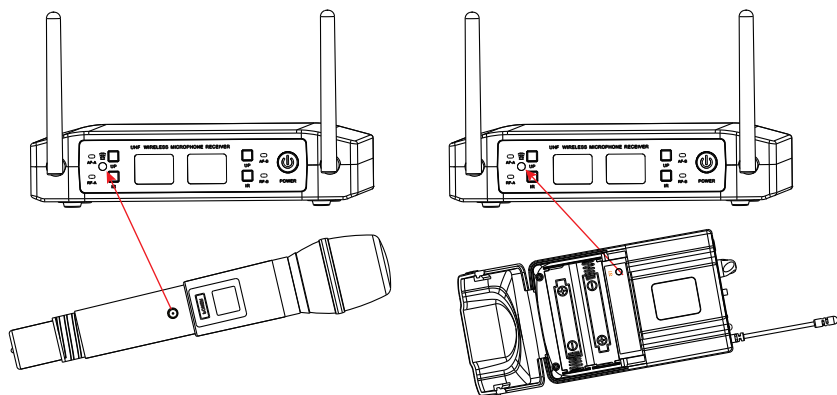


- ▶ Collegare le uscite audio bilanciate A (15) o B (16) o quella sbilanciata (19) al proprio mixer o impianto di amplificazione usando dei cavi appropriati (consultare il paragrafo "10. CONNESSIONI AUDIO" a pagina 33 per ulteriori dettagli).
- ▶ Ruotare entrambe le manopole di controllo del volume (17) e (18) al minimo.
- ▶ Accendere il ricevitore premendo il tasto POWER (1). I display LED (7) e (8) si accenderanno mostrando i rispettivi canali.
- ▶ Regolare le manopole di volume (17) e (18) secondo necessità.
- ▶ Per cambiare canale, premi a lungo il pulsante UP; il numero del canale sul display lampeggerà. Premi nuovamente il pulsante UP per selezionare il canale, ci sono 16 canali in totale tra cui scegliere.

9. FUNZIONE IR SYNC

Il WF-U216 è dotato di un sistema di trasmissione a infrarossi tra ricevitore e trasmettitore, chiamato IR SYNC, che invia facilmente le impostazioni al palmare o al trasmettitore tascabile.

Quando il ricevitore è acceso, premere il pulsante IR, il ricevitore inizia a inviare il segnale, accendere il microfono portatile o il trasmettitore body-pack e avvicinare la propria finestra IR alla finestra IR del ricevitore. Una volta che il canale di frequenza è stato inviato correttamente, l'indicatore del segnale RF sul ricevitore si accende, il che significa che l'accoppiamento tra ricevitore e trasmettitore è avvenuto correttamente.



10. CONNESSIONI AUDIO

Per utilizzare il WF-U216 avete bisogno di cavi di collegamento. Fate riferimento ai disegni seguenti che mostrano il collegamento interno dei conduttori. Assicuratevi di usare solo cavi audio di alta qualità (visitare il sito www.soundsationmusic.com per ulteriori dettagli).

Uso Bilanciato dei Connettori XLR

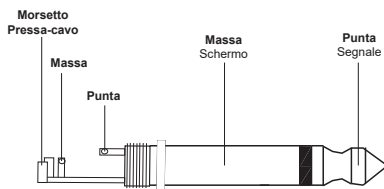


1= Massa/Schermo
2= Caldo (+)
3= Freddo (-)

In caso di uso sbilanciato, i Pin 1 e 3 vanno ponticellati


Potete ovviamente collegare anche apparecchiature con ingressi sbilanciati alle uscite del WF-U216 collegando i piedini 1 e 3 (massa e anello centrale nel caso di un jack da 6.3mm) come mostrato di seguito.

Uso Sbilanciato del connettore jack da 6.3mm TS



II. SMALTIMENTO DELLE BATTERIE

In caso di utilizzo di batterie ricaricabili in entrambi i trasmettitori palmari e body-pack, seguire le istruzioni seguenti per la manipolazione sicura e lo smaltimento corretto delle batterie.

 **Conservare sempre le batterie a piena carica. Le batterie parzialmente cariche perderanno capacità. Non conservare mai la batteria quando è completamente scarica. Ricaricare sempre immediatamente quando è vuoto.**

 **L'autonomia della batteria diminuirà di volta in volta e potrebbe essere leggermente più breve di quanto previsto a causa dei diversi ambienti di lavoro.**

Assicurarsi che la batteria venga smaltita correttamente in base alle leggi locali quando si esaurisce, in modo da proteggere l'ambiente. Alcune batterie possono essere riciclate e possono essere accettate per lo smaltimento presso il centro di riciclaggio locale.

Si prega di contattare l'assistenza clienti SOUNDSATION in caso di domande sulla corretta gestione delle batterie. Le batterie possono presentare un rischio di incendio, esplosione o ustioni chimiche se non trattate in modo adeguato.

- ▶ Non disassemblare, forare, modificare, far cadere, lanciare o provocare altri shock non necessari alle batterie.
- ▶ Non gettare le batterie nel fuoco o nell'inceneritore di rifiuti, né lasciarle in luoghi caldi come un'automobile alla luce diretta del sole.
- ▶ Non conservare le batterie vicino a un forno, una stufa o un'altra fonte di calore.
- ▶ Non collegare le batterie direttamente a una fonte elettrica, come una presa di corrente dell'edificio o un punto di alimentazione dell'automobile.
- ▶ Non mettere le batterie in un forno a microonde o in altri contenitori ad alta pressione.
- ▶ Non immergere le batterie in acqua o bagnarle in altro modo.
- ▶ Non cortocircuitare le batterie; ad esempio, non trasportare batterie scariche in una tasca o in una borsa con altri oggetti metallici, che potrebbero inavvertitamente causare un corto circuito della batteria.
- ▶ Non utilizzare batterie o, caricare batterie ricaricabili, che sembrano avere perdite scolorite, arrugginite, deformate; che emettono uno strano odore; o sono, in qualche altro modo, anormali.
- ▶ Non toccare direttamente le batterie che hanno perdite. Indossare guanti in materiale protettivo per rimuovere le batterie e quindi smaltirle immediatamente in modo corretto.
- ▶ Non invertire la polarità (terminali positivi e negativi) delle batterie.
- ▶ Non continuare a caricare le batterie oltre il tempo specificato.
- ▶ Non far toccare le batterie ai bambini piccoli e conservarle dove i bambini non possono accedere.

- ▶ Non mettere le batterie in bocca. In caso di ingestione, contattare immediatamente il medico o il centro antiveneni locale.

12. SPECIFICHE

SISTEMA	
Banda:	UHF 520-550MHz
Stabilizzazione della Frequenza:	Calibrazione automatica
Intervallo Dinamico:	>90dB
Distorsione Armonica Totale:	<0.4%
Risposta in Frequenza:	40Hz-15KHz \pm 3dB
Livello di Uscita Audio:	Bilanciata 400mV; Sbilanciata 400Mv
Dimensioni Imballo (LxPxA):	380 x 285 x 65 mm
Peso Lordo Imballo:	1.2 kg
RICEVITORE	
Alimentazione:	DC 12V / 1000mA
Consumo:	<4W
Rapporto Segnale/Rumore:	>95dB
Sensibilità di Ricezione:	-95dBuV
De-Enfasi:	75uS
Dimensioni (LxPxA):	210 x 155 x 43 mm
Altezza Antenne:	115 mm
Peso Netto:	0.345 kg
TRASMETTITORE PALMARE E TASCABILE	
Potenza di Trasmissione:	10mW(Max)
Tipo di Modulazione:	FM
Deviazione Massima:	\pm 26KHz
Emissione di Spurie:	>40dB
Alimentazione:	2x Batterie da 1.5V Alcaline tipo AA oppure 2x Batt. Ricaricabili da 1.2V tipo AA
Durata Batterie:	5 ore
Dimensioni Microfono palmare (L/PxH):	\varnothing 33 (min) - \varnothing 48 (max) x 248 mm
Peso Netto Microfono Palmare:	0.2155 kg (batterie incluse)
Dimensioni Trasm. Tascabile (LxPxA):	62 x 30 x 103 mm
Antenna (L/PxA):	\varnothing 3 x 10 mm
Peso Netto Trasmettitore Tascabile:	0.133 kg (batterie incluse)

13. TABELLA DELLE FREQUENZE

Numero CH	CH-A	CH-B
01	521.4MHz	535.2 MHz
02	522.8MHz,	536.6 MHz
03	523.2 MHz,	537.8 MHz
04	523.7 MHz,	538.7 MHz
05	524.6 MHz,	539.6 MHz
06	525.2 MHz	540.8 MHz
07	525.8 MHz	541.4 MHz
08	526.2 MHz	542.3 MHz
09	527.6 MHz	543.2 MHz
10	528.2 MHz	544.1 MHz
11	529.1 MHz	544.8 MHz
12	531.6 MHz	546.8 MHz
13	532.2 MHz	547.2 MHz
14	532.8 MHz	547.8 MHz
15	533.6 MHz	548.4 MHz
16	534.5 MHz	549.6 MHz

14. GARANZIA E ASSISTENZA

Tutti i prodotti SOUNDSATION dispongono di una garanzia di due anni. Questa garanzia di due anni è valida dalla data di acquisto, come indicato dal documento di acquisto.

- I seguenti casi / componenti non sono coperti dalla garanzia di cui sopra:
- Tutti gli accessori forniti con il prodotto
- Uso improprio
- Guasto dovuto all'usura
- Ogni modifica del prodotto effettuata dall'utente o da terzi

SOUNDSATION deve soddisfare gli obblighi di garanzia dovuti a eventuali materiali non conformi o difetti di fabbricazione, rimediando gratuitamente e a discrezione di SOUNDSATION sia mediante riparazione o sostituendo singole parti o l'intero apparecchio. Eventuali parti difettose rimosse da un prodotto durante il corso di una richiesta di garanzia diventano di proprietà di SOUNDSATION.

Durante il periodo di garanzia, i prodotti difettosi possono essere restituiti al rivenditore SOUNDSATION locale con prova di acquisto originale. Per evitare danni durante il trasporto, si prega di utilizzare l'imballo originale, se disponibile. In alternativa è possibile inviare il prodotto a SERVICE CENTER SOUNDSATION - Via Enzo Ferrari, 10 - 62017 Porto Recanati - Italia. Per poter inviare un prodotto al centro di assistenza è necessario un numero di RMA. Le spese di trasporto devono essere coperte dal proprietario del prodotto.

Per ulteriori informazioni visitate il sito: www.soundsationmusic.com

15. AVVISO

LEGGETE ATTENTAMENTE - solo per UE e SEE (Norvegia, Islanda e Liechtenstein).



Questo simbolo indica che il prodotto non deve essere smaltito con i rifiuti domestici, in base alla direttiva RAEE (2202/96/CE) e legislazione nazionale.

Il prodotto deve essere consegnato a un centro di raccolta differenziata o, in caso di ritiro dell'usato quando si acquista un nuovo prodotto simile, ad un rivenditore autorizzato per il riciclaggio di apparecchiature elettriche ed elettroniche (WEEE).

Un uso improprio di questo tipo di rifiuti può avere un impatto negativo sull'ambiente e sulla salute umana a causa di sostanze potenzialmente pericolose che sono generalmente associate alle apparecchiature elettriche ed elettroniche. Allo stesso tempo, la vostra collaborazione per il corretto smaltimento di questo prodotto contribuirà a un utilizzo efficace delle risorse naturali.

Per ulteriori informazioni sui punti di raccolta delle apparecchiature da rottamare, contattate il comune, l'autorità di gestione dei rifiuti, strutture coinvolte nel sistema RAEE o il servizio di smaltimento dei rifiuti domestici.

16. DECLARATION OF CONFORMITY



Importazione e Distribuzione Strumenti Musicali e Accessori

Via Enzo Ferrari, 10
62017 Porto Recanati - Italy
Tel: +39 071 7595011 Fax: +39 071 7595099
info@frenexport.it - www.frenexport.it

P.IVA E C.F. IT00260710439
Banca BANCA DELLE MARCHE spa
IBAN IT84 M060 5569 1310 0000 0001 952

TO: whom it may concern

EU DECLARATION OF CONFORMITY

We, FRENEXPOR SPA,
of Via Enzo Ferrari, 10 – 62017 Porto Recanati (MC) Italy

Declare under our sole responsibility that following products:

Models: SOUNDSATION WF-U216HH, WF-U216HP and WF-U216PP

Description: Dual UHF 16-Channel Wireless Systems

conform to the essential requirements of:

- Directive on the general safety of product 2001/95/EC
- European Low Voltage Directive 2014/35/EU
- European EMC Directive 2014/30/EU
- European Radio Equipment Directive (RED) 2014/53/EU

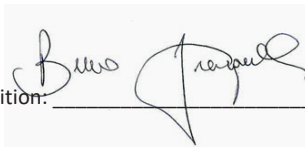
comply with the following standards (depend on type of product):

- EN 62368-1:2014 + A11:2017
- EN 62479:2010
- ETSI EN 301 489-1 V2.2.3 (2019-11)
- ETSI EN 301 489-9 V2.1.1 (2019-04)
- ETSI EN 300 422-1 V2.1.2 (2017-01)

conform to RoHS directive 2011/65/EU
and related amendments.

Porto Recanati, 07/04/2020

Position: _____





This product is imported in EU by
Questo prodotto viene importato nella UE da
FRENEXPORT SPA – Via Enzo Ferrari, 10 - 62017 Porto Recanati - Italy

WWW.SOUNDSATIONMUSIC.COM

Soundsation® is a registered trademark of FRENEXPORT SPA - Italy
Soundsation® è un marchio di fabbrica registrato della FRENEXPORT SPA - Italy



WWW.SOUNDSATIONMUSIC.COM